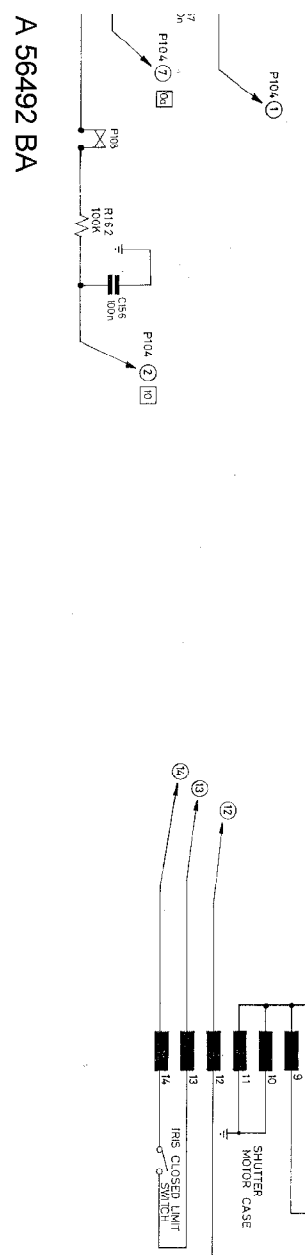
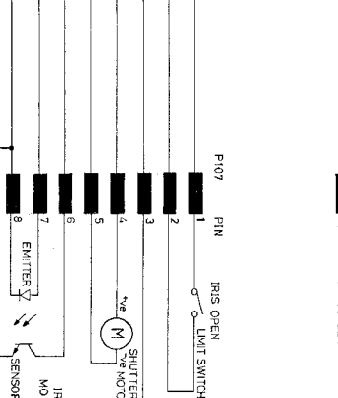
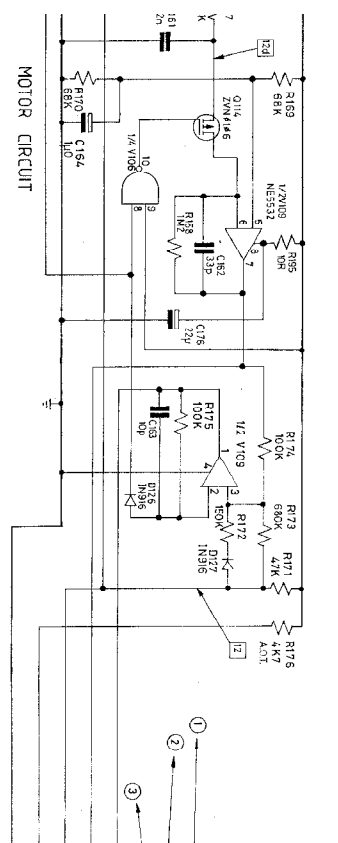
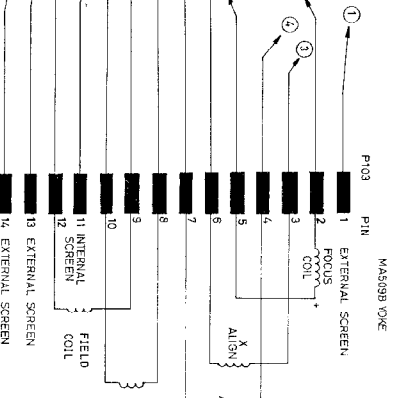
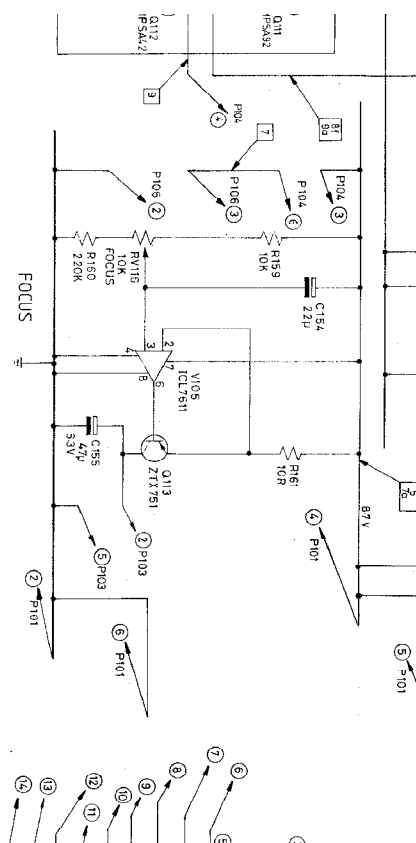
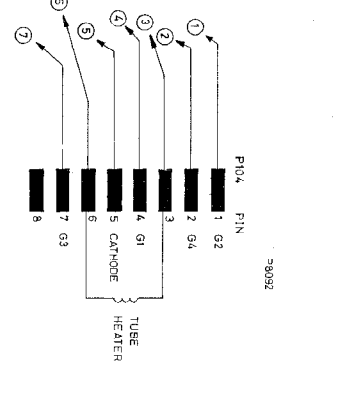
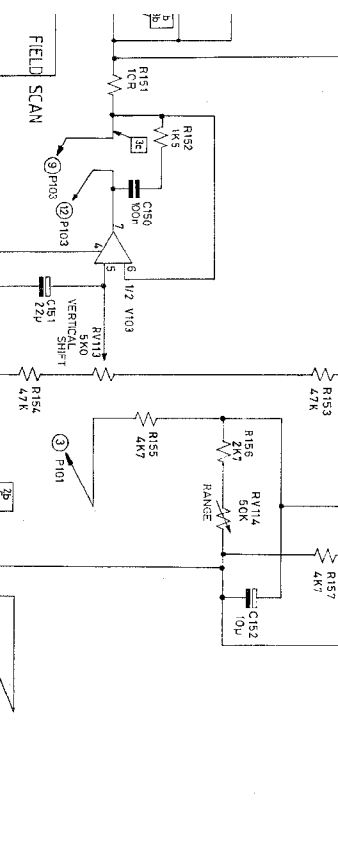
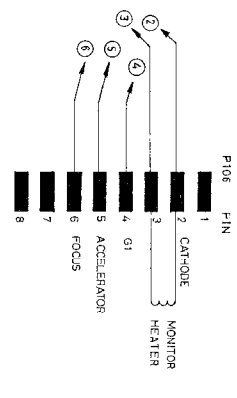
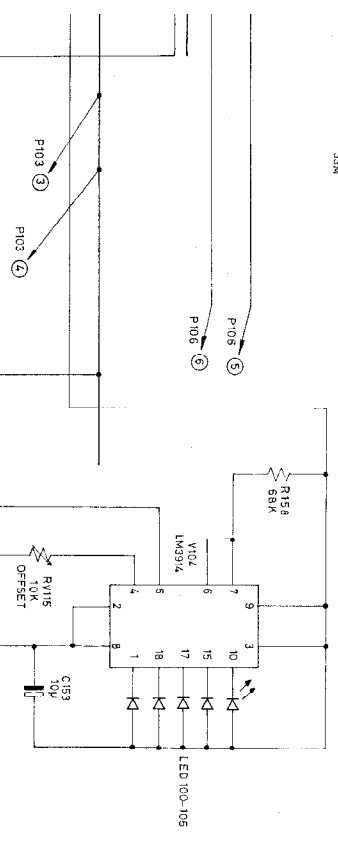
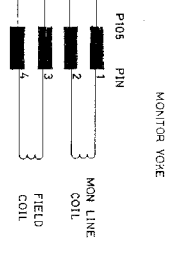
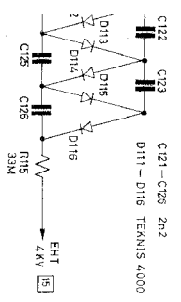
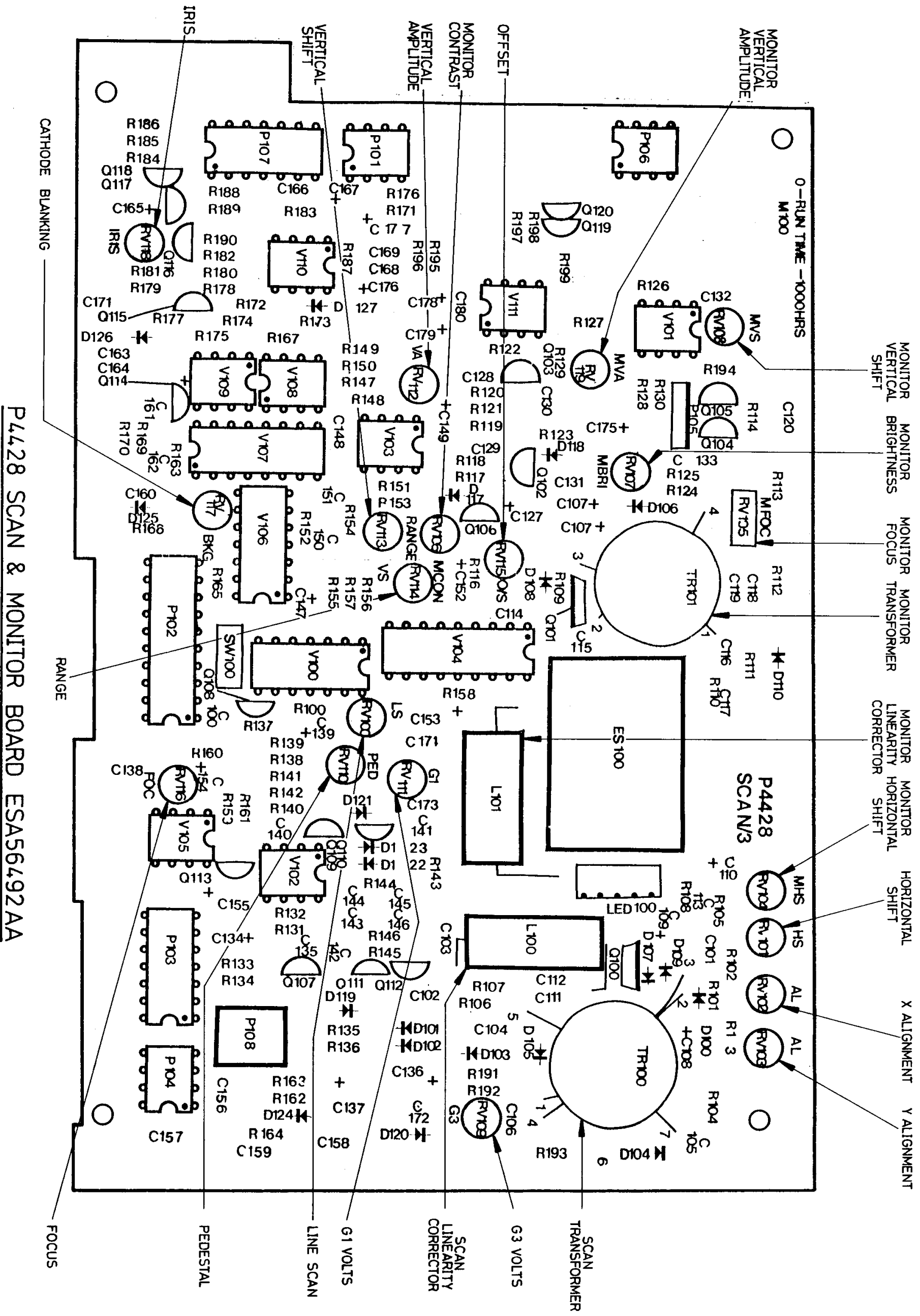
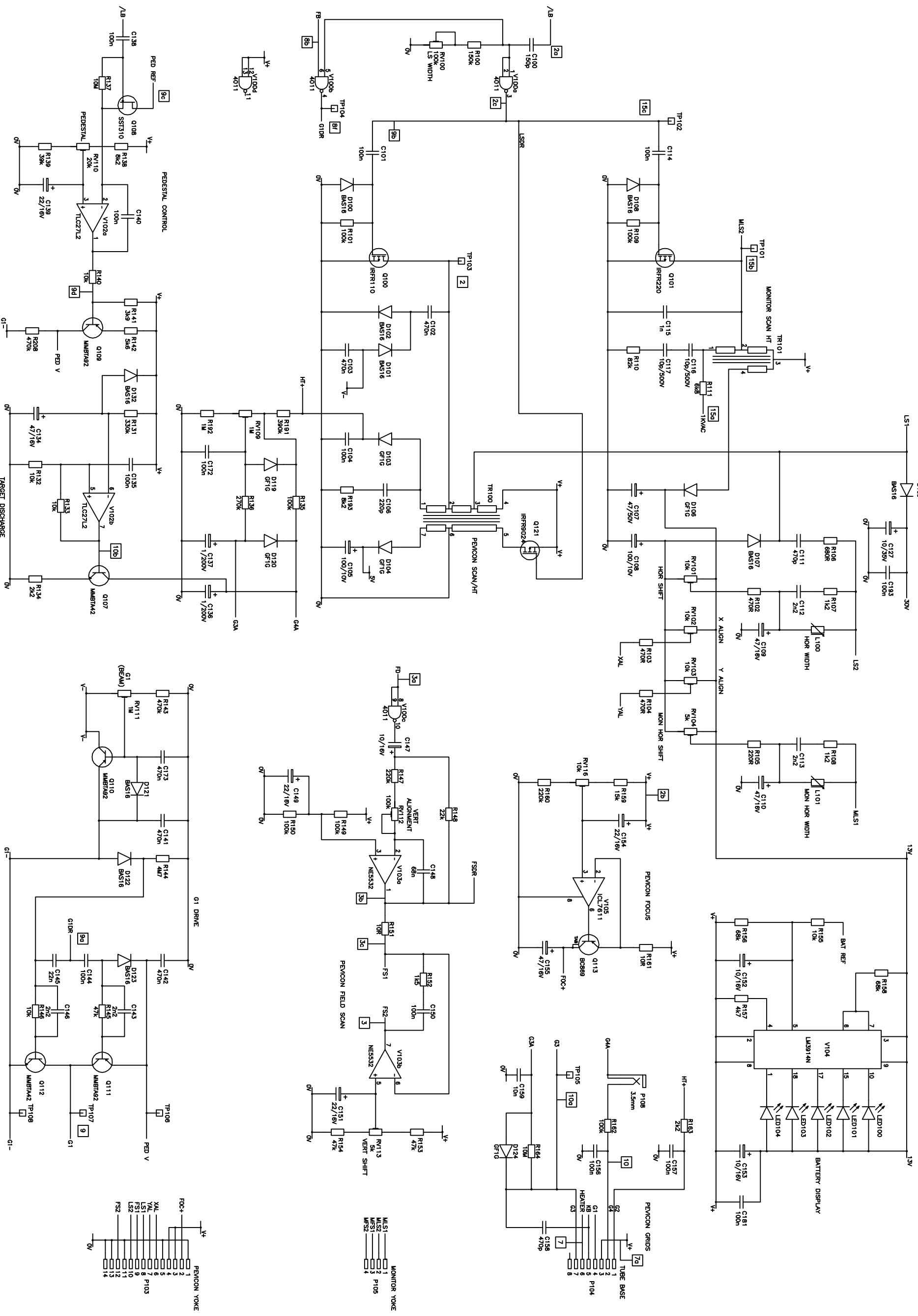


P4428 THERMAL BLOCK DIAGRAM

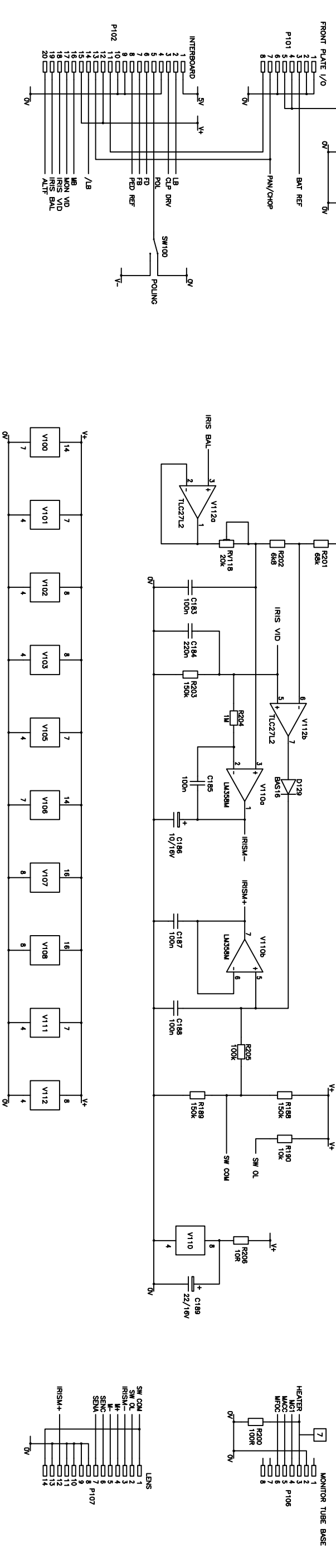
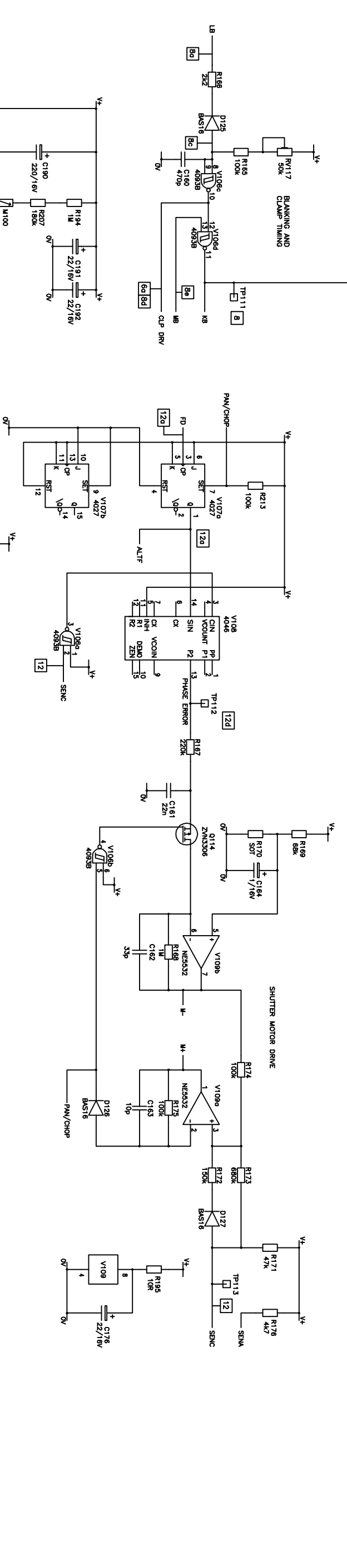
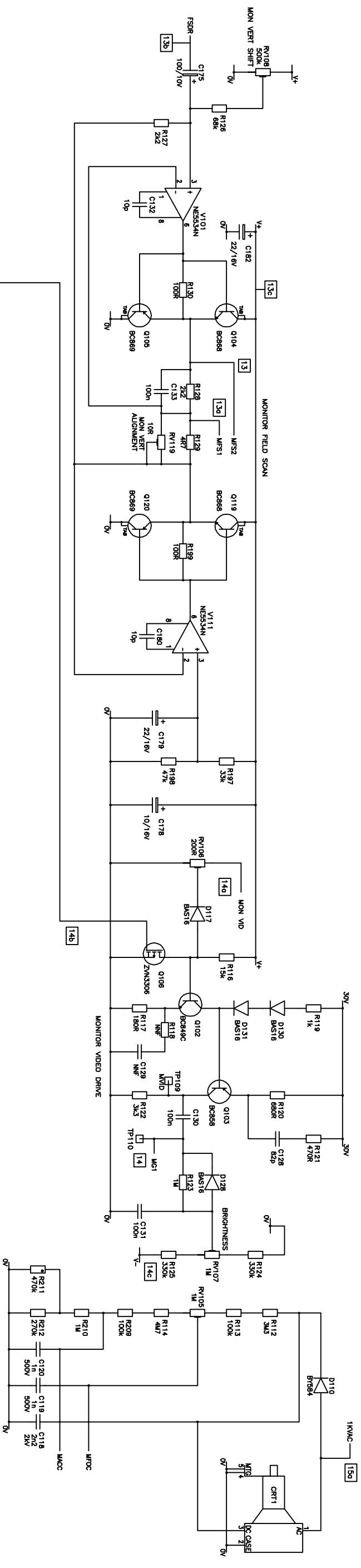
Ind Layouts



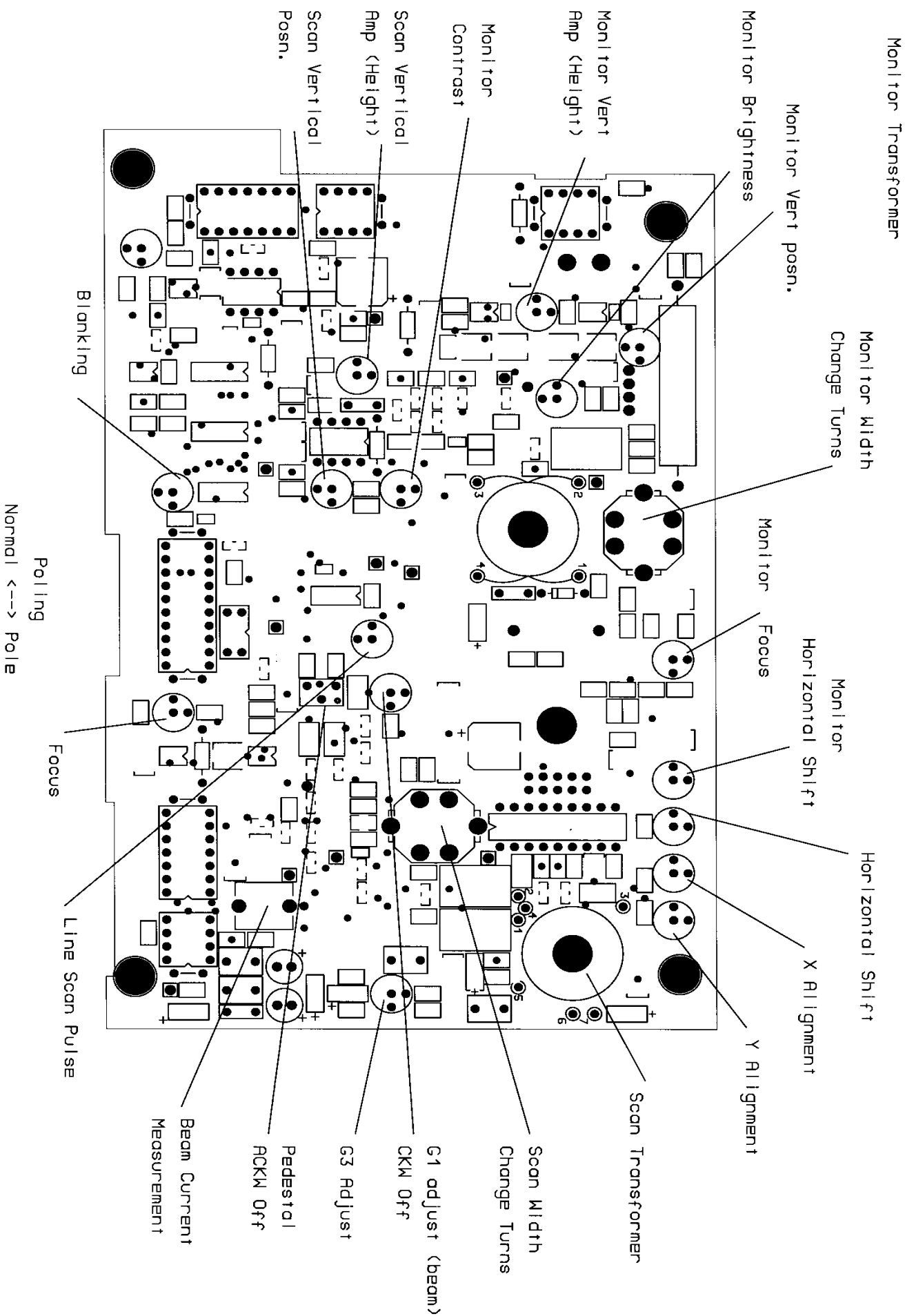




Circuit Diagram for Scan & Monitor Board

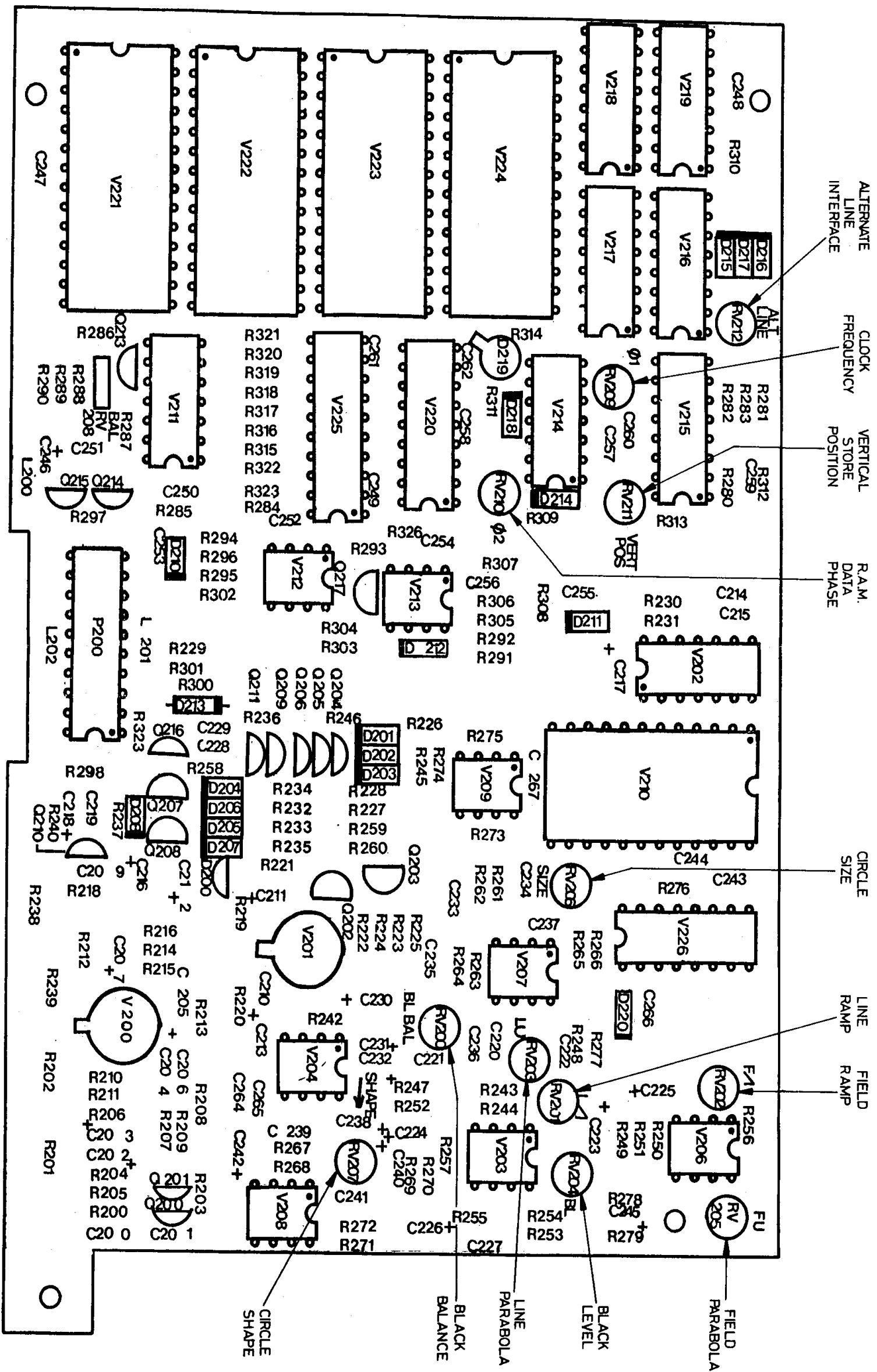


Circuit Diagram for Scan & Monitor Board



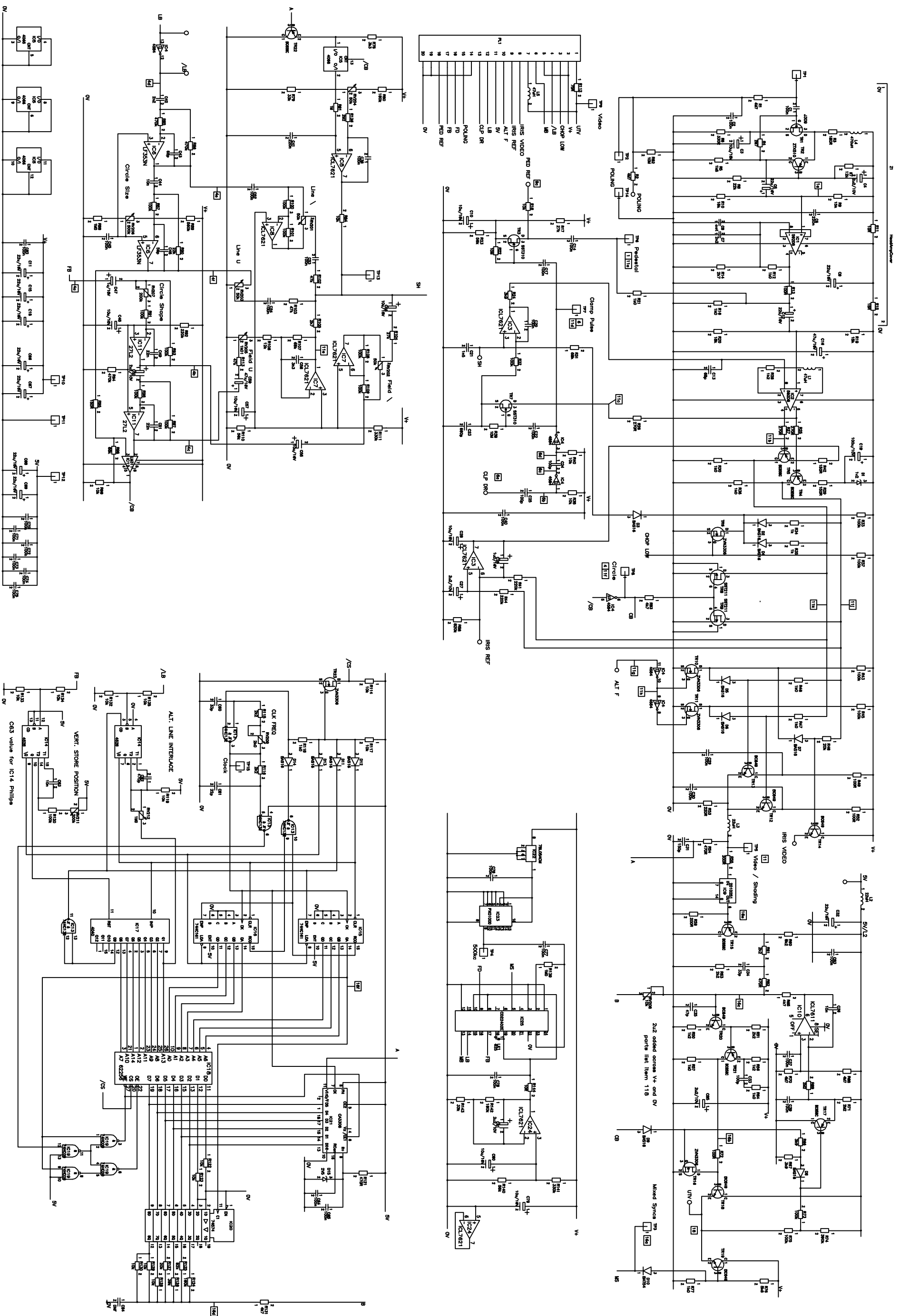
Scan PCB Layout and Adjustments



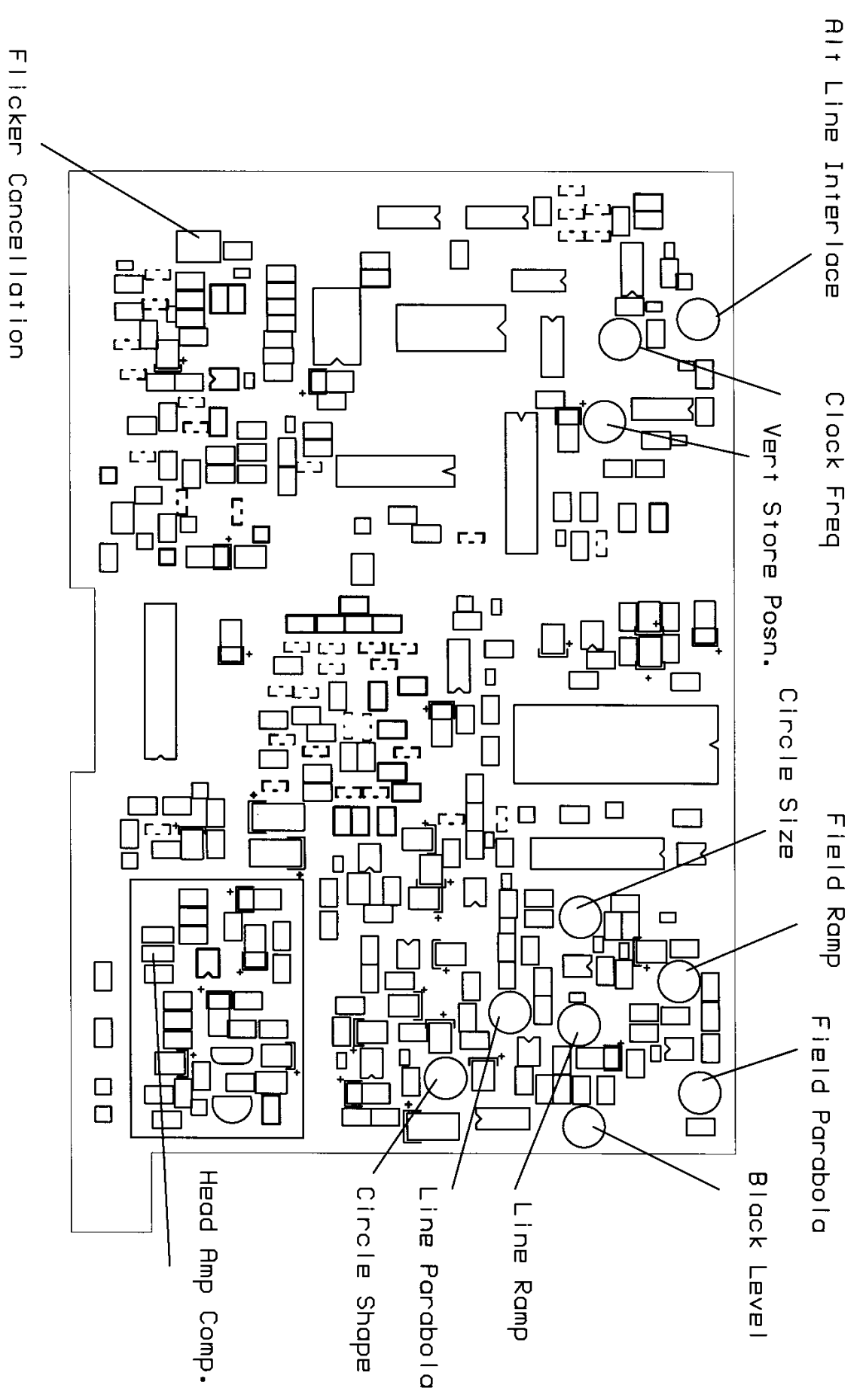


P4428 VIDEO PROCESSING BOARD ESA56493BA





Circuit Diagram for P4428



P4428 Video Board      DRS 547584 RR